

# giudi



Model B30



## Why Choose Giudi?

**Supports** users with poor trunk control

**Built-In Lateral Supports**

**Accommodates** users that spend a long time lying down or semi-seated

**Compact** for limited spaces

**Easy to handle** indoors and outdoors

 **800-511-2601**  
**progressive**  
medical concepts

Proudly manufactured in Italy by



**EASY TRANSFERS**

Low seat and swing-away side supports help the user get in and out of chair.



**ARMREST**

Height Adjustable



**BREATHABLE**

Upholstery breathable, fire retardant, and easily removable for machine washing.



**ERGONOMIC COMFORT**

No-Slide Cover is washable and semi-elastic. The user's body shape and posture is maintained & accommodated while reclined & accommodated while reclined and/or tilted.



**HEADREST**

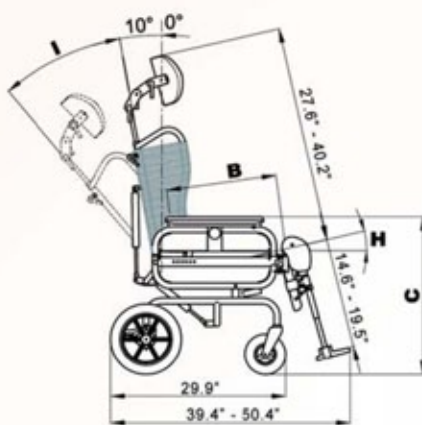
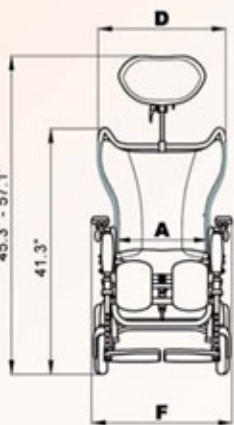
Multi-directional adjustability



**ERGONOMIC LEGREST**

Angle and height adjustable

Giudi mod B30	A	B	D	F	H	I	I	I	Aid weight	Max cap load
size 45	18"	17" - 18" - 19"	24"	25"	10°-27°	when B 17" 28°	when B 17" 30°	when B 17" 35°	75 lbs	309 lbs
size 50	20"	17" - 18" - 19"	26"	27"	10°-27°	when B 17" 26°	when B 18" 28°	when B 19" 32°	77 lbs	309 lbs



**ACCESSORIES**



**ADJUSTABLE TRAY**



**ABDOMINAL BELT**



**ABDUCTION BLOCK**



**FOOTPLATE CUSHION**



5020 B U Bowman Dr., Suite 600  
 Buford, GA 30518 • 800-511-2601  
[www.progressivemedicalstore.com](http://www.progressivemedicalstore.com)



**TRAY COVER**



**CALF REST**